
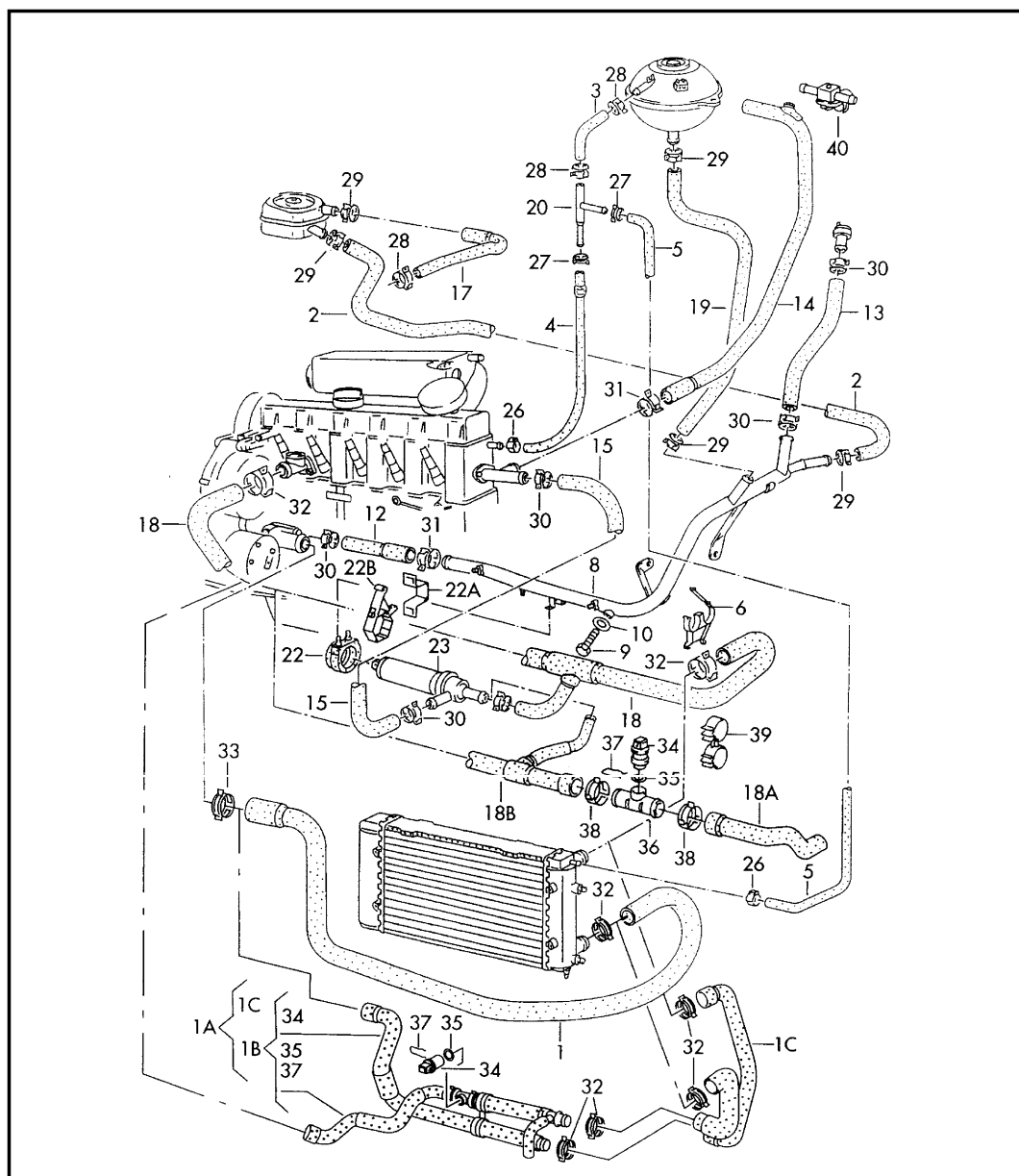




Model	Year	MG	SG	Illustration	Restrictions	UPD	0:26	11.06.2011		ETKA
EU	1993	1	21	121-50		855	USA			



Pos	Part Number	Name	Remark	Qty	Model
		coolant hoses and pipes	2.4/2.5ltr.		5-CYLINDER: AAF,ACU DIESEL ENG.: AAB
(1)	074 121 051 D	water hose (coolant radiator/pump)		1	
2	074 121 058 B	water hose (oil cooler > water pipe)		1	
(2)	074 121 058 E	water hose (at fluid cooler > water pipe)		1	AUTOMATIC
(2)	074 121 058 C	water hose (gearbox oil cooler > oil cooler)		1	
3	074 121 060	water hose (reservoir > adapter)		1	
(4)	074 121 063 D	water hose (adapter > cylinder head) F 70-P-020 001>>*		1	
-	701 971 848 D	retainer, swivelling	14/25	1	
5	044 121 060 L	vent hose (adapter > radiator)		1	
(6)	074 121 093 C	holder - hose		1	
(8)	074 121 065 Q	water tube F >> 70-R-105 720 also use:	701 971 848 C	1 1	
(8)	074 121 065 AA	water tube F 70-R-105 721>>		1	
(8)	074 121 065 R	water tube for vehicles with auxiliary heater F >> 70-R-105 720 also use:	701 971 848 C	1 1	
(8)	074 121 065 AB	water tube for vehicles with auxiliary heater F 70-R-105 721>>		1	
(8)	074 121 065 S	water tube F >> 70-R-105 720 also use:	701 971 848 C	1 1	AUTOMATIC

Model	Year	MG	SG	Illustration	Restrictions	UPD	0:26	11.06.2011		ETKA
EU	1993	1	21	121-50		855	USA			

Pos	Part Number	Name	Remark	Qty	Model	Pos	Part Number	Name	Remark	Qty	Model
(8)	074 121 065 AG	water tube F 70-R-105 721>>		1	AUTOMATIC	(18)	074 121 101 H	water hose (flange > radiator > additional water pump)		1	
(8) c	074 121 065 T	water tube for vehicles with auxiliary heater		1		18A	074 121 101 J	water hose for vehicles with air condit.		1	
		also use: F >> 70-R-105 720	701 971 848 C	1		18B	074 121 101 K	water hose for vehicles with air condit.		1	
(8)	074 121 065 AD	water tube for vehicles with auxiliary heater		1	AUTOMATIC	18A	074 121 101 L	water hose for vehicles with air condit.		1	AUTOMATIC: AAF,ACU
-	701 971 848 C	clip		X		18B	074 121 101 M	water hose for vehicles with air condit.		1	AAB
9	N 010 237 14	screw, hex. hd.	M8X12	1						1	AUTOMATIC: AAF,ACU
10	N 902 267 01	seal ring	8X14	1		19	074 121 109 A	water hose (expansion tank > water pipe)		1	
12	074 121 063	water hose (coolant pump/pipe)		1		20	074 121 438 C	distributor piece		1	
13	074 121 073 Q	water hose (heater valve> coolant pipe)		1		22	035 959 209 F	rubber isolator		1	
(13)	074 121 073 E	water hose (solenoid valve > water pipe) for vehicles with auxiliary heater		1	AAB	(22)	066 959 209	rubber mount.with locat.divice		1	
(13) c	044 121 073 AB	water hose (solenoid valve > water pipe) for vehicles with auxiliary heater		1	AAF,ACU	23	034 965 561 C	additional water pump F >> 70-R-105 720 as required use:	443 906 232	1	
14	074 121 073 L	water hose (flange > heat exchanger)		1		(23)	251 965 561 B	additional water pump F 70-R-105 721>>		1	
(14)	074 121 073 N	water hose (flange > t-piece) for vehicles with 2nd heat exchanger		1		-	443 906 232	flat contact housing with gasket	2 pin	1	
(15)	074 121 073 T	water hose (flange > addit. water pump)		1		26	N 101 969 01	clamp	14, 8X7X0,60	X	
17	074 121 096 D	water hose (oil cooler > cylinder block)		1		27	N 100 987 01	spring clip	13X15	X	
(18)	074 121 101 N	water hose (flange > radiator > additional water pump) for vehicles with trailers		1	AAB	28	N 016 401 1	spring clip	19X15	X	
						29	N 016 402 1	spring clip	23X15	X	
						30	N 016 403 1	spring clip	27X15	X	
						31	N 016 404 1	spring clip	32X15	X	
						32	N 016 410 1	spring clip	40X15	X	
						33	N 016 409 1	spring clip	47X15	X	
						-	N 020 690 1	clamp	28X20	2	AAB
						-	N 010 215 27	screw, hex. hd.	M6X15	2	AAB

Model	Year	MG	SG	Illustration	Restrictions	UPD	0:26	11.06.2011		ETKA
EU	1993	1	21	121-50		855	USA			

Pos	Part Number	Name	Remark	Qty	Model	Pos	Part Number	Name	Remark	Qty	Model
-	N 011 524 26	washer	6,4X12,5X1,6	2	AAB						
34	701 919 369 E	thermal switch for switching off air conditioner for trailer towing	105/112C 20MM 106/102C 4 pin green 3 stages	1							
35	N 903 168 02	round seal	19,6X3,65	1							
36	023 121 174	connecting piece for vehicles with air condit.		1							
37	032 121 142	retaining spring for vehicles with air condit.		1							
38	N 016 409 1	spring clip for vehicles with air condit.	47X15	2							
39	044 121 129	bracket for vehicles with air condit. F 70-N-130 746>>		1	AAF, ACU						